

MCS POWER SUPPLY 1-PHASE,

IN: 95-132VAC OUT: 24-28V/20ADC

INPUT: 95...132 V AC
 OUTPUT: 24...28 V DC
 Current: 20 A

[Link to Product](#)**Illustration**

Product may differ from Image

Approvals**Input**

Input voltage	95...132 V AC
Input current	8.4 A (115 V AC)
Primary fusing external	max. 16 A
Frequency	50...60 Hz

Output

Output voltage	24 V DC (SELV), $\pm 1\%$; 24...28 V adjustable
Output current	20 A (+60 °C); 24 A (+40 °C)
Mains failure bridging time	min. 20 ms (115 V AC)
Ripple	max. 20 mV eff/rms
Spikes	max. 250 mV ss/pp
Unit protection	short-circuit and overload protected
LED display	LED (green) for output voltage
Selectable switch-off mode	front sided plug link (automatic re-start or definite shut-off)
Parallel usage/serial usage	yes/yes

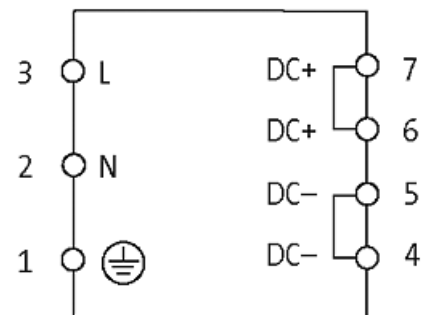
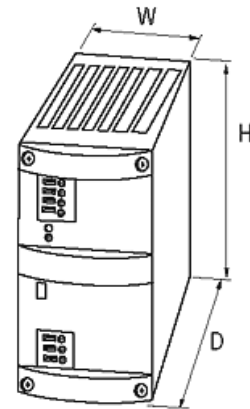
General data

Standards	EN 60950-1, EN 61204-3, EN 55022 B
Relative humidity	5...95%, no condensation

Efficiency	90%
Mounting method	DIN-rail mountable TH35 (EN 60715)
Dimensions H×W×D	170×84×201 mm
Temperature range	0...+60 °C (storage temperature -25...+85 °C)

Commercial data

country of origin	CZ
customs tariff number	85044090
EAN	4048879080491
eClass	27049002
Packaging unit	1

Sketch

Product may differ from Image